

HIGH EFFICIENT RIGID MOUNTED INDUSTRIAL WASHER EXTRACTORS

**RX
RANGE**

RX180	RX240	RX280
18KG 40LB	24KG 53LB	28KG 62LB



FEATURES

- Rigid mounted, normal spin, 100 G-factor
- Stainless steel top panel & Anthracite grey front and side panels
- Stainless steel drum and tub
- Xcontrol - easy to use microprocessor
- Patented Soap Hopper
- High capacity water inlets (RX280)
- Large drain valve (Ø 76 mm)
- Easy access to all vital parts from the front
- Large door opening for easy loading & unloading

OPTIONS

- 200 G-factor execution
- Xcontrol Plus - Fully programmable
- Coin operated timer (CPS)
- Stainless steel front and side panels
- USB+ RS485 plug (on the back panel)
- Easy Soap - liquid soaps connection
- Liquid soap pumps
- Water recovery kit
- Steam heating version
- 3rd water inlet
- High capacity water inlets (RX180, 240)
- 7 mm drum perforation (RX180-240)
- IP44 protection



ERGONOMICAL
CONSTRUCTION



LARGE DOOR
OPENING



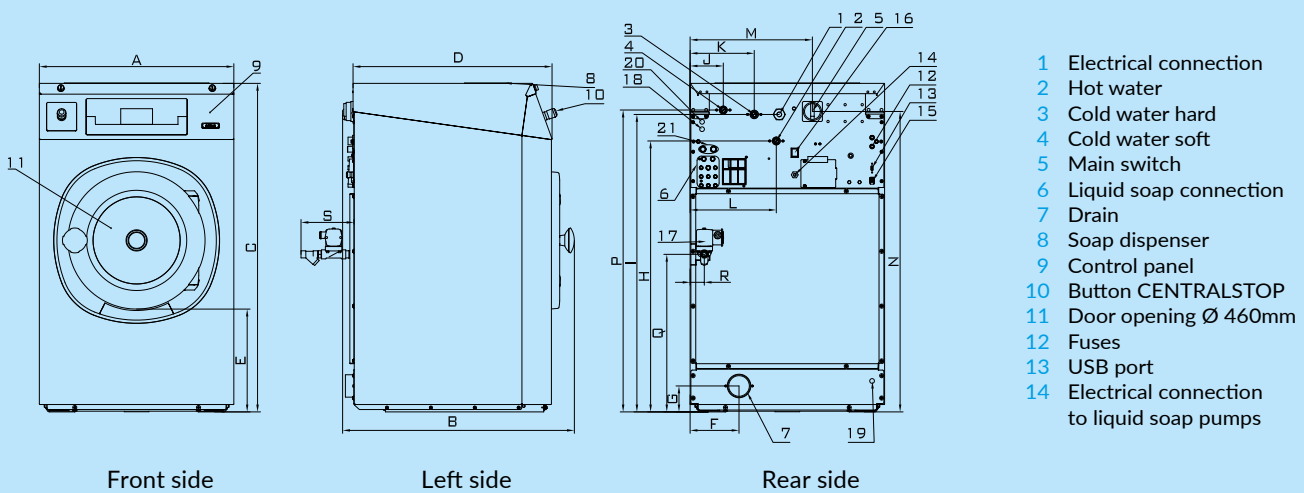
LOW WATER
AND ENERGY
CONSUMPTION



GET AHEAD IN LAUNDRY 

TYPE		RX180	RX240	RX280
INNERDRUM				
Maximum capacity 1:9	kg	20	27	32
Capacity 1:10	kg	18	24	28
Volume	litres	180	240	280
Diameter	mm	750	750	750
DRUM SPEED				
Wash	rpm	42	42	42
Extraction	rpm	490 (690)*	490 (690)*	490 (690)*
G-FACTOR				
		100 (standard) 200*	100 (standard) 200*	100 (standard) 200*
HEATING				
Electricity (standard)	kW	12 / 18	18	18 / 21,9
Steam	bar	1-8	1-8	1-8
Hot water	°C	90	90	90
Sound pressure level	dB (A)	< 65	< 65	< 65
Water valves connection	BSP	3/4"	3/4"	3/4"
Water pressure	kPa	100-800	100-800	100-800
Rec. water pressure	kPa	300-500	300-500	300-500
Water inlet	l/min	20	20	20
Drain valve	outer Ø mm	76	76	76
Flow amount with drain valve	l/min	210	210	210
Steam valve connection	BSP	1/2"	1/2"	1/2"
Steam pressure	kPa	100-800	100-800	100-800
DIMENSIONS				
Size H×W×D	mm	1410×890×915	1410×890×1060	1410×890×1135
Net weight	kg	255 (315)*	275 (330)*	290 (355)*
TRANSPORT DATA				
Packed H×W×D	mm	1550×925×970	1550×925×1130	1550×925×1190
Gross weight	kg	270 (335)*	290 (355)*	305 (385)*

* 200 G-factor execution



DIMENSIONS

	A	B	C	D	E	F	G	H	I	J	K	L	M	N	P	Q	R	S
RX180	890	915	1410	815	465	280	130	1212	1297	113	218	303	625	1270	1317	528	54	120
RX240	890	1060	1410	960	465	280	130	1212	1297	113	218	303	625	1270	1317	528	54	120
RX280	890	1135	1410	1035	465	280	130	1212	1297	113	218	303	625	1270	1317	528	54	120
	width	depth	height															



The Primus preserves the right to change the machines and the specification in this leaflet at any time, without prior notice. Details and photographs are only for information and never binding.

www.primuslaundry.com

Primus by Alliance Laundry Systems

